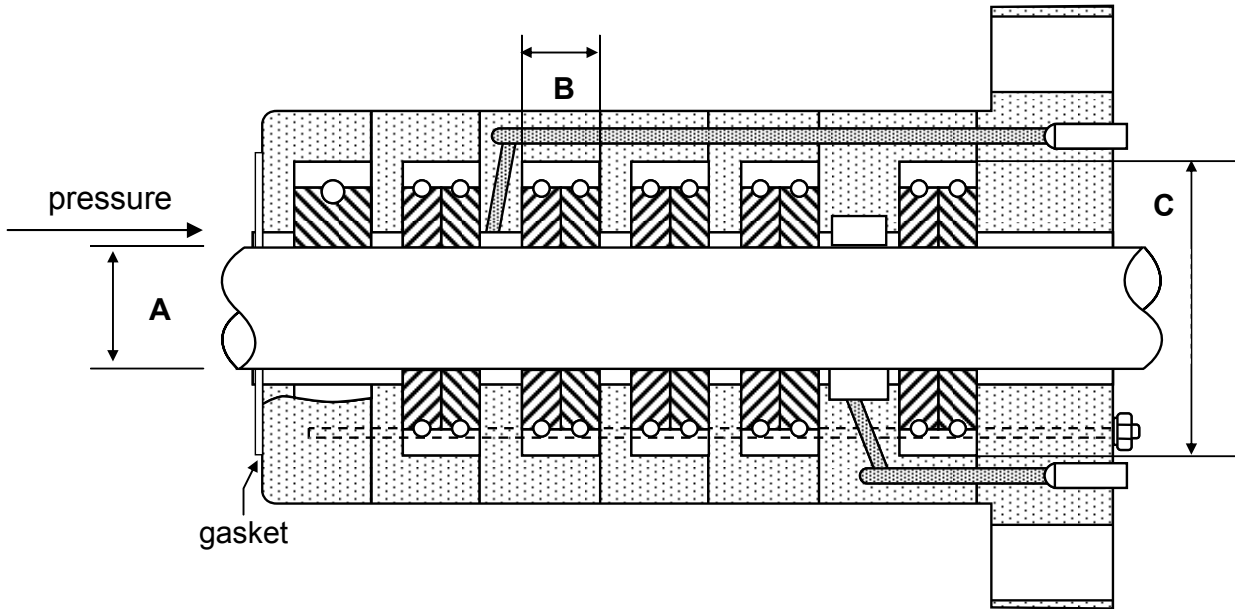
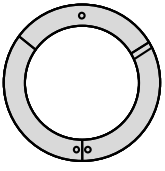
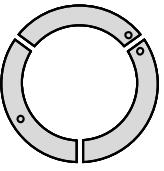
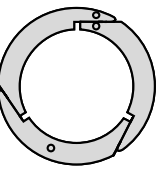
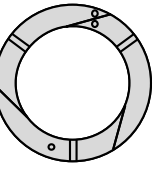
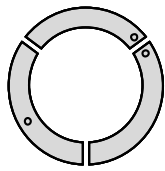
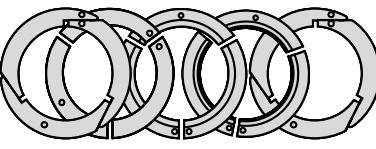
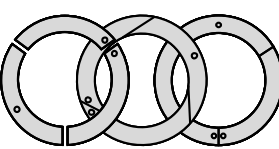
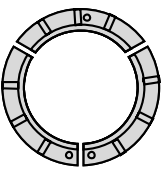
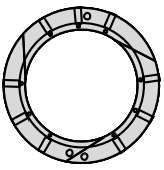


Packing and Scraper Ring Data Sheet



A. Rod Diameter: _____ **B. Cup Depth:** _____
C. Cup Inside Diameter: _____
D. What Rings Are In Each Cup: _____

 A. Radial Cut Pressure Breaker	 B. Radial Packing	 C. Step Tangent Packing	 D. Tangent-to-the-rod Packing	 E. Radial Back-up Ring
 F. "AL" Packing		 G. "WAT" Packing		 H. Radial Oil Scraper
				 I. Tangent-to-the-rod Oil Scraper

E. Material (circle one)

Carbon Filled Teflon	Bronze Moly Teflon	Bronze
Glass Filled Teflon	Carbon Filled Teflon	Cast Iron
Glass Moly Teflon	Polyimide	Micarta Moly-Di
Bronze Filled Teflon	Peek	Other _____

TEXAS COMPRESSOR CORPORATION